

## Sieve Filters, cleanable



### WFMK-Magnetic-Filter-Cartridges for cartridge filter housings

WFMK-Magnetic-Filter-Cartridges for separation of ferrite particles are manufactured in two sizes of 10" and 20" length, suitable for cartridge filter housings with 222 plugs. The installation into the housings is made according to filter cartridges with 222-adaptor and double-o-rings. The redirection tube ensures that the liquid flows along the whole length of the magnetic insert and thereby separates the ferrite particles more efficiently.

For removal of the separated ferrite particles the redirection tube can be dismantled from the the magnetic insert. Another advantage of the WFMK-Magnet-Filter-Cartridges is, that the Neodym-Magnets can be provided in two different diameters. The field strength of the used Neodym-Magnets is 1,2 Tesla or 12.000 Gauss. The support construction and the redirection tube is made from stainless steel AISI 304. For all cartridge filter housings or non-company housings appropriate custom made versions can be supplied.

### WFMK-Magnetic-Filter-Cartridges

#### Technical data

Material:	Stainless steel AISI304
	O-Rings: Viton
Filed strength:	1,2 Tesla ( 12.000 Gauss )
Dimensions:	see table Dimensions
Temperature:	max. 100°C
Flow rate:	The flow rate correlates to the nominal diameter of the housing connection and the flow rate of the next filter step.

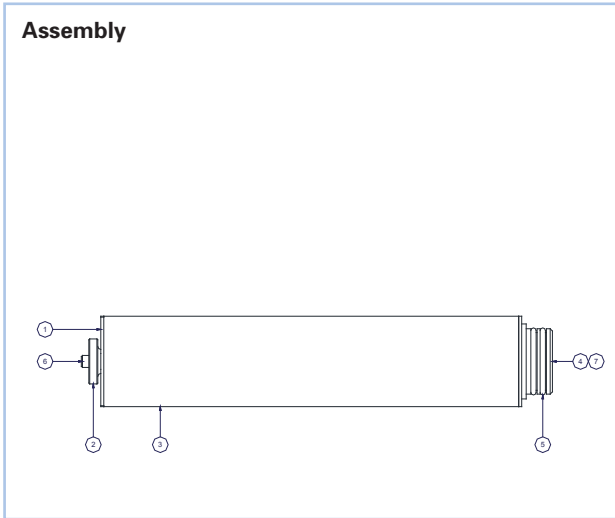
#### Applications

- Fine filter for cooling circuits
- Particle filter for cleaning baths
- Protection filters for pumps, valves and spray nozzles
- Prefilters for wash- and degreasing baths

#### Features and Benefits

- Two sizes for Cartridge Filter Housings of 10" and 20" length
- Two different Magnet-diameters
- With 222-adaptor and double-o-rings
- With redirection tube for more efficient separation of the ferrite particles and easy removal of the collected particles.
- Field strength 1,2 Tesla ( 12.000 Gauss )
- Support construction made from AISI 304
- Special custom versions for cartridge filter housings or non-company housings can be supplied

## Assembly



## Dimensions and Spare parts

Pos.	Designation	Material	Order designation	Order No.
1	Magnet insert	AISI304	WFMK-10-Magnetstab	#999997
			WFMK-20-Magnetstab	#999997
2	Knurled nut	st. st. A2	WFMK-10-Rändelmutter-M8	#999997
3	Redirection tube	AISI304	WFMK-10-Umlenkrohr	#999997
			WFMK-20-Umlenkrohr	#999997
4	Adapter	AISI304	01WTKF-FST-Adapter-222-TG mit M8-Gewinde	#999997
5	O-Ring	Viton	70003-B-ORVIT-222	#007175
6	Pin	AISI304	WFMK10-Gewindestift-M8	#999997
7	Hexagon socket srew	AISI304	WFMK10-Schraube-M8	#999997

## Order example

WFMK	10	-	Magnetic Filter Cartridge	-	d34	-	V
1	2	3		4		5	

## Order Information

Pos.	Bezeichnung
1	WFMK: Magnetic-Filter-Cartridge for cartridge filter housings
2	10: For 10"-Cartridge Filter Housings
	20: For 20"-Cartridge Filter Housings
3	Magnetic Filter Cartridge
4	d30: Bar-diameter 30mm
	d34: Bar-diameter 34mm
5	Material O-Ring
	V: Viton
	E: EPDM
	B: Buna-N
	S: Silikon:
	F: Viton-FEP