

WTP-Plastic housing and -elements

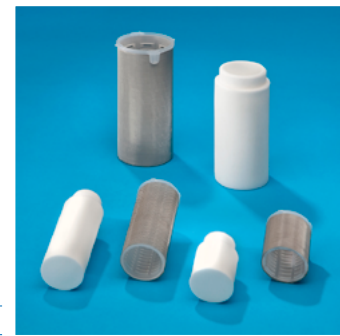


WTP-Plastic housing and -elements

The small filter housings type WTP have a black or white polypropylene head with a transparent sump made of polyester (PET) or white sump made from polypropylene. The filter head of the series WTPS and WTPM are deliverable from 1/8" to 1/2" internal threads and optionally can be combined with a short or a long sump. The sump of the series WTPL is available in one length only and can be combined with filter heads size 3/8" to 3/4" internal threads.

All WTP-Plastic housings can be equipped with a filter element out of porous PE in the filter ratings of 5 µm, 35 µm, 50 µm, 80 µm and 100 µm or with a PP-support and stainless steel sieve element in 50 µm, 100 µm or 300 µm filter rating.

The stainless steel sieve elements are reusable after cleaning. For mounting the housings, a stainless steel bracket set with mounting screws is available as an accessory.



New

WTP-Plastic housing and -elements

Technical Data

Material:	Filter head:	Polypropylene, black or white
	Sump:	Polyester (PET), transparent or Polypropylene, white
Inlet / Outlet:	Internal parts:	Polyethylene or PP-support with stainless steel mesh AISI304
	O-ring:	NBR-black (optional EPR-white, FKM-green)
	WTPS:	1/8", 1/4", 3/8", 1/2"
	WTPM:	1/8", 1/4", 3/8", 1/2"
Drain:	WTPL:	3/8", 1/2", 3/4"
		without drain
Vent:		without vent
Filter elements:	Amount:	1 (PE-Elements or PP-Support with stainless steel sieve element)
Max. operating pressure:		10 bar at 20°C
Max. operating temperature.:		50°C at 4 bar
Flow rate:		The maximum flow rate correlates to the nominal diameter of the housing connection, the length of the sump and the dirt load and viscosity of the media.

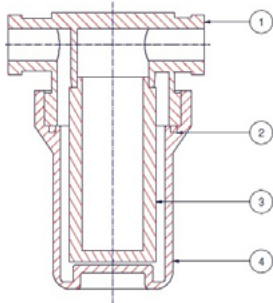
Applications

- Protection for analyse- and measuring instruments
- Fine filter for cooling circuits
- Sieve filters for small flow rates
- End-filters prior to bottling
- Suction filters before pumps
- Filters policing impurities
- Bypass filters for optical control before release

Features and Benefits

- Plastic Filter Housing for small flow rates with black or white head and transparent or white sump
- Filter elements out of porous PE, 5 µm to 100 µm or PP-Support with stainless steel sieve element, 50 µm to 300 µm
- Inline-configuration of inlet and outlet with internal thread connection of 1/8", 1/4", 3/8", 1/2" or 3/4"
- Mounting bracket set made of stainless steel for wall mounting as an accessory

Spare parts

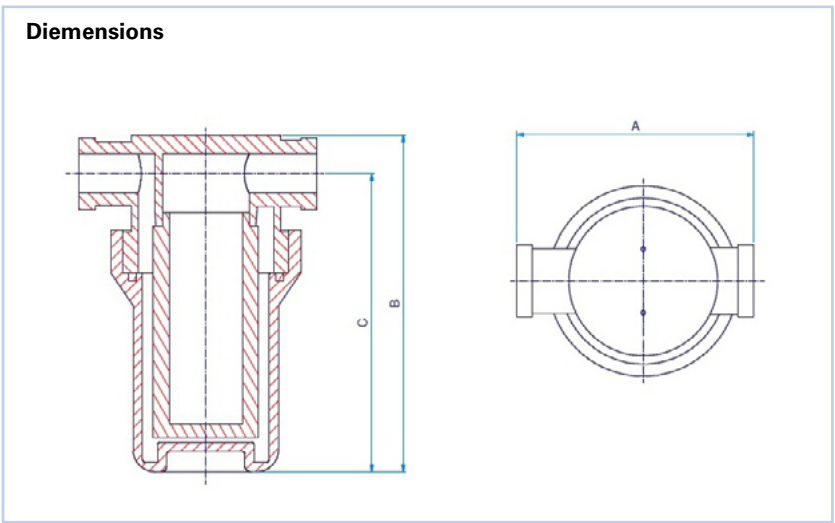


Spare parts

Pos.	Description	Material	Order designation	Order No.		
1	Head	PP	WTPS-Kopf-1/8-S / -W	008567 / 009620		
		S = black	WTPS-Kopf-1/4-S / -W	008566 / 009614		
		W = white	WTPS-Kopf-3/8-S / -W	008565 / 009605		
			WTPS-Kopf-1/2-S / -W	008564 / 009615		
			WTPL-Kopf-3/8-S / -W	008554 / 009618		
			WTPL-Kopf-1/2-S / -W	008555 / 009602		
			WTPL-Kopf-3/4-S / -W	008556 / 009619		
		2	O-Ring	NBR	WTPS-ORNBR-GEH	008641
				EPR	WTPS-OREPR-GEH	008859
				FKM	WTPS-ORVIT-GEH	009196
	WTPL-ORNBR-GEH			008550		
	WTPL-OREPR-GEH			008728		
	WTPL-ORVIT-GEH			008750		
3	Filter element			Polyethylene	WTPS-0005-PE	008633
					WTPS-0035-PE	008634
					WTPS-0050-PE	008635
					WTPS-0080-PE	009429
		WTPS-0100-PE	008636			
		WTPM-0005-PE	008645			
		WTPM-0035-PE	008646			
		WTPM-0050-PE	999991			
		WTPM-0080-PE	008802			
		WTPM-0100-PE	008647			
		WTPL-0005-PE	008546			
		WTPL-0035-PE	008545			
		WTPL-0050-PE	008544			
		WTPL-0080-PE	009517			
		WTPL-0100-PE	008543			
		PP-Support	WTPS-STUE-PP		008637	
			WTPM-STUE-PP		008648	
			WTPL-STUE-PP		008558	
		Stainless steel	WTPS-0050-L		008638	
		sieve element	WTPS-0100-L		008639	
		(AISI304)	WTPS-0300-L		008640	
			WTPM-0050-L		008649	
			WTPM-0100-L		008650	
			WTPM-0300-L		008651	
			WTPL-0050-L		008547	
			WTPL-0100-L		008548	
			WTPL-0300-L		008549	
		4	Sump		Polyester (PET) transparent	WTPS-Sumpf-transp.
WTPM-Sumpf-transp.	008652					
WTPL-Sumpf-transp.	008552					
Polypropylene white	WTPS-Sumpf-weiß			008643		
	WTPM-Sumpf-weiß			008653		
	WTPL-Sumpf-weiß			008551		

Accessory

5	Mounting-bracket-set with screws	Stainless steel	WTPS-Haltewinkel-Set – VA	S008564
			WTPL-Haltewinkel-Set – VA	S008565



Dimensions

	Connections	A	B	C
WTPS	1/8"	58	58	48
	1/4"	75	60	49
	3/8"	75	64	51
	1/2"	75	67.5	53
WTPM	1/8"	58	92.5	83.5
	1/4"	75	94.5	84.5
	3/8"	75	98.5	86.5
	1/2"	75	102.5	88.5
WTPL	3/8"	90.5	125	113
	1/2"	90.5	129	115
	3/4"	90.5	134	118

Order example

WTPL	-	R	3/8	-	S	C	B
1		2	3		4	5	6

Order information

Pos.	Designation
1	WTPS = Plastic housing, small
	WTPM = Plastic housing, medium
	WTPL = Plastic housing, large
2	R = BSP pipe thread
3	1/8 = Connection 1/8" (only WTPS and WTPM)
	1/4 = Connection 1/4" (only WTPS and WTPM)
	3/8 = Connection 3/8"
	1/2 = Connection 1/2"
	3/4 = Connection 3/4" (only WTPL)
4	S = Filter head, black
	W = Filter head, white
5	C = Sump transparent (PET)
	W = Sump white (PET)
6	B = Buna-O-ring
	E = EPR-O-ring
	V = Viton-O-ring