

WTSRF Self-cleaning filter



WTSRF Self-cleaning filter made of stainless steel with wedge wire element

The construction of the WTSRF Self-cleaning filters offers optimum handling, assembly and cleaning. The filter element as well as the wiper cage can simply be pulled up and out of the housing and the complete interior of the housing is then empty. Due to the position of the special connecting piece of the inlet, outlet, rest draining, back flushing and discharging, the WTSRF Self-cleaning filters can be completely rest-drained like our sanitary housings. The entire housing dome can simply be unscrewed for better accessibility during maintenance or cleaning purposes. The WTSRF Self-cleaning filters consist of the four building groups: filter housings, drive, filter element and attachments. These can be adapted individually to existing customer requirements. The standard version already possesses many options, which make additional custom made equipment possible by simple re-tooling attachments.

Technical data

Material:	Housing: 1.4751 (316 Ti) Filter element: 1.4435 (316 L Mo+) Installations: 1.4571 (316 Ti) O-Rings: Viton and PTFE
In-/Outlet:	DN50 PN16 DIN 2633
Vent:	R ¼" internal thread
Drain:	R 1 ½" external thread
Pressure:	Max. 10bar
Temperature:	Max. 95°C
Drive:	400 V, 50Hz, 0, 12 kW, IP65 EExII T4, PTB 99 ATEX 3720-BI.01
Flow rate:	The maximum flow rate correlates to the nominal diameter of the housing connection, the slot size of the used filter element, the assembly size of the filter housing as well as the dirt load and viscosity of the filtrate medium.

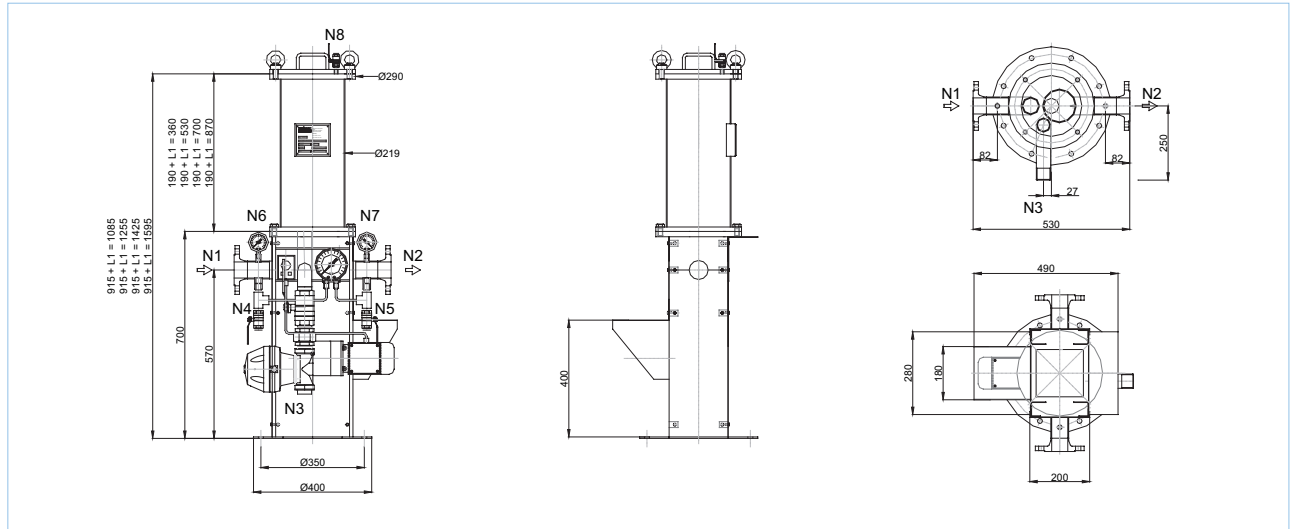
Applications

- Pre-filters for pumps
- Coarse filters for delivery per refuelling vehicle
- Protection filters for spray nozzles in coating plants
- End-filter for bottling into containers
- Particle filters as protection in heat exchangers and cooling circuits
- Fine filters for chocolate, syrup, gelatine
- Recycling filters for cooking oil, cooking water, washing water
- Dirt collectors for waste water

Features and Benefits

- Easy assembly and cleaning
- Wedge wire elements 25 µm to 1000 µm
- Four assembly sizes with filter areas 685 cm², 1390 cm², 2085 cm², 2780 cm²,
- Four assembly groups which can be individually modified to suit your needs
- Inline alignment of in- and outlet
- Multiple options to refit special equipment
- Ex-proof motor EExII T4, PTB 99 ATEX 3270-BI.01

Dimensions



Order example

WTSRF	130	-	2	-	F	50	-	T	V	-
1	2		3		4	5		6	7	8

Order information

Position	Designation
1	WTSFR = Wolftechnik Self-cleaning Filter
2	130 = Diameter wedge wire filter element
3	1 = Wedge wire filter length 170 mm: 695 cm ² filter area 2 = Wedge wire filter length 340 mm: 1390 cm ² filter area 3 = Wedge wire filter length 510 mm: 2085 cm ² filter area 4 = Wedge wire filter length 680 mm: 2780 cm ² filter area
4	R = Pipe thread F = Flange TC = TriClamp M = Screwed pipe connection DIN 11851
5	2 = 2" internal thread 50 = Nominal diameter DN 50
6	T = Housing material stainless steel 1.4571 (316 Ti) L = Housing material stainless steel 1.4301 (304)
7	V = O-Ring made of Viton S = O-Ring made of Silicone E = O-Ring made of EPDM B = O-Ring made of Buna F = O-Ring viton FEP-encapsulated